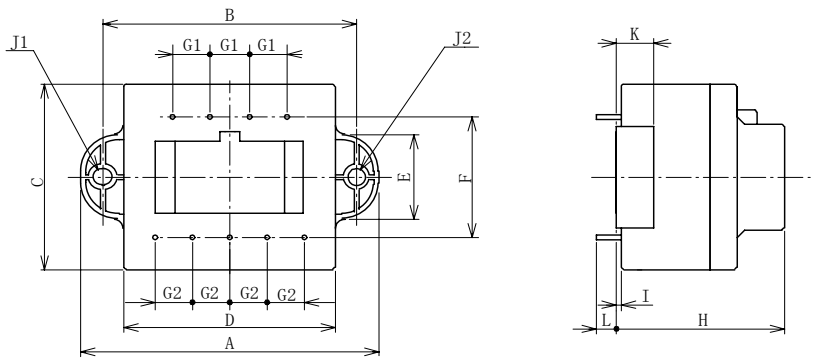
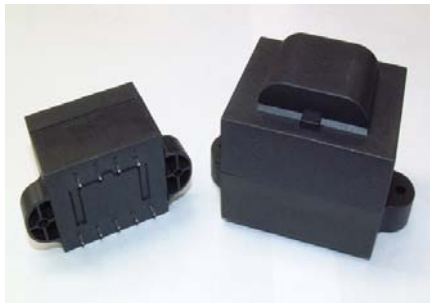
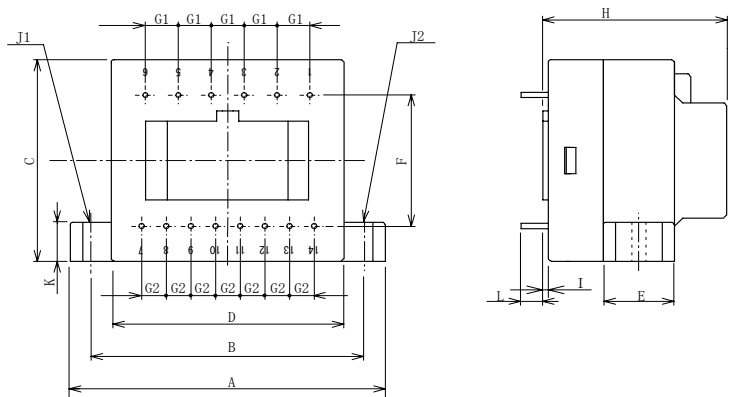


TYPE	A	B	C	D	E	F	G1	G2	H	I	J1	J2	K	L	PIN	PIN NUM	VA	WEIGHT
FC28-11	—	—	32.2	32.0	—	19.5	6.5	7.5	28.8	1.0	—	—	—	5.0	1.0Φ	7	1.1	75.0
FC35-10	—	—	35.0	38.8	—	22.5	7.5	7.5	30.6	1.0	—	—	—	5.0	1.0Φ	7	2.4	110.0
FC35-15	—	—	35.0	38.8	—	22.5	7.5	7.5	37.2	1.0	—	—	—	4.0	1.0Φ	7	3.5	145.0
FC41-15	—	—	37.4	44.8	—	25.0	7.5	7.5	37.0	1.0	—	—	—	4.5	1.0Φ	9	5.0	190.0
FC41-20	—	—	37.4	44.8	—	25.0	7.5	7.5	42.5	1.0	—	—	—	4.5	1.0Φ	9	8.5	235.0



TYPE	A	B	C	D	E	F	G1	G2	H	I	J1	J2	K	L	PIN	PIN NUM	VA	WEIGHT
FC41-151	66.0	54.0	37.4	44.8	20.0	25.0	7.5	7.5	37.0	1.0	3.5Φ × 4.0	3.5Φ	10.0	4.0	1.0Φ	9	5.0	195.0
FC41-201	66.0	54.0	37.4	44.8	20.0	25.0	7.5	7.5	42.5	1.0	3.5Φ × 4.0	3.5Φ	10.0	4.0	1.0Φ	9	8.5	240.0
FC48-18	73.0	61.0	43.8	52.0	20.0	29.0	7.5	7.5	40.6	1.0	3.5Φ × 4.0	3.5Φ	12.0	4.0	1.0Φ	9	11.0	295.0
FC48-25	73.0	61.0	43.8	52.0	20.0	30.0	7.5	6.5	48.9	1.0	4.2Φ × 4.7	4.2Φ	10.0	4.0	1.0Φ	13	14.0	400.0
FC54-26	79.0	67.0	49.4	58.0	20.0	32.0	7.5	7.5	53.5	1.0	4.2Φ	4.2Φ × 4.5	11.0	5.0	1.0□	12	19.0	535.0
FC57-28	86.0	74.0	51.6	61.0	20.0	34.0	7.5	7.5	57.0	1.0	4.5Φ × 5.5	4.5Φ	12.0	4.0	1.0□	13	32.0	635.0



TYPE	A	B	C	D	E	F	G1	G2	H	I	J1	J2	K	L	PIN	PIN NUM	VA	WEIGHT
FC48-20	73.0	61.0	43.8	52.0	20.0	29.0	7.5	5.5	45.0	1.0	4.2Φ	4.2Φ	10.0	4.0	1.0Φ	14	12.0	355.0